

Century Series Hanging Scales - 7-inch Dial

Specification Sheet
SS-Century-01105
November 2005

The CHATILLON® Century Series hanging scale are world-reknown for their accuracy, dependability and reliability. The Century Series feature a glass-covered 7-inch dial that reads clockwise. A double dial option is available (one dial reads clockwise, the other counter clockwise). These scales feature a corrosion-resistant band, bezel and housing and have a rugged, steel inner frame. Scale capacities are reached in two pointer revolutions.

The Century Series may be specified as a Class III "Legal for Trade" scale. Available in avoirdupois and metric models, the Century Series can be supplied with a CG Series scoop or the popular CAS circular pan. The CAS Pan is constructed of stainless steel. 3-inch deep round pan has drain holes. The CG Scoop is ideal for weighing loose materials and foodstuffs. Scoop and suspension chain of galvanized construction. Scale heads, without attachments, are supplied with a 1-1/2 lb start.

Features

- ❑ Avoirdupois and Metric Graduations
- ❑ Available as H44 Class III "Legal for Trade"
- ❑ Full Capacity in Two Pointer Revolutions
- ❑ Single or Double 7-inch Dials (Glass Covered)
- ❑ CG Scoop or CAS Pan Attachments
- ❑ 1 Year Warranty

Specifications

- Accuracy:** See Tables Below
Maximum Overload: 120% of Rated Capacity
Tare Capacity: 10% Full Scale Capacity
Weight: 5 lbs (2.3 kg)
Weight with CAS Pan: 4 lbs (2 kg)
Weight with CG Scoop: 4 lbs (2 kg)

Shown with optional CAS Pan



Accuracies - Class III

Model	Resolution	Scale		Tolerance		
		Range	Divisions	Division	Weight	%Accurate
0720-X	20 lb x 1 oz	0-3 lb	0-50	+1/2 d	+0.5 oz	+0.08%
		4-12 lb	51-200	+1 d	+1 oz	+0.16%
		13-20 lb	201-400	+1-1/2 d	+1.5 oz	+0.47%
0740-X	40 lb x 2 oz	0-6 lb	0-50	+1/2 d	+1 oz	+0.16%
		7-24 lb	51-200	+1 d	+2 oz	+0.32%
		25-40 lb	201-400	+1-1/2 d	+3 oz	+0.47%
K0720-X	20 kg x 50 g	0-2 kg	0-50	+1/2 d	±25 g	+0.13%
		3-10 kg	51-200	+1 d	+50 g	+0.25%
		11-20 kg	201-400	+1-1/2 d	+75 g	+0.38%

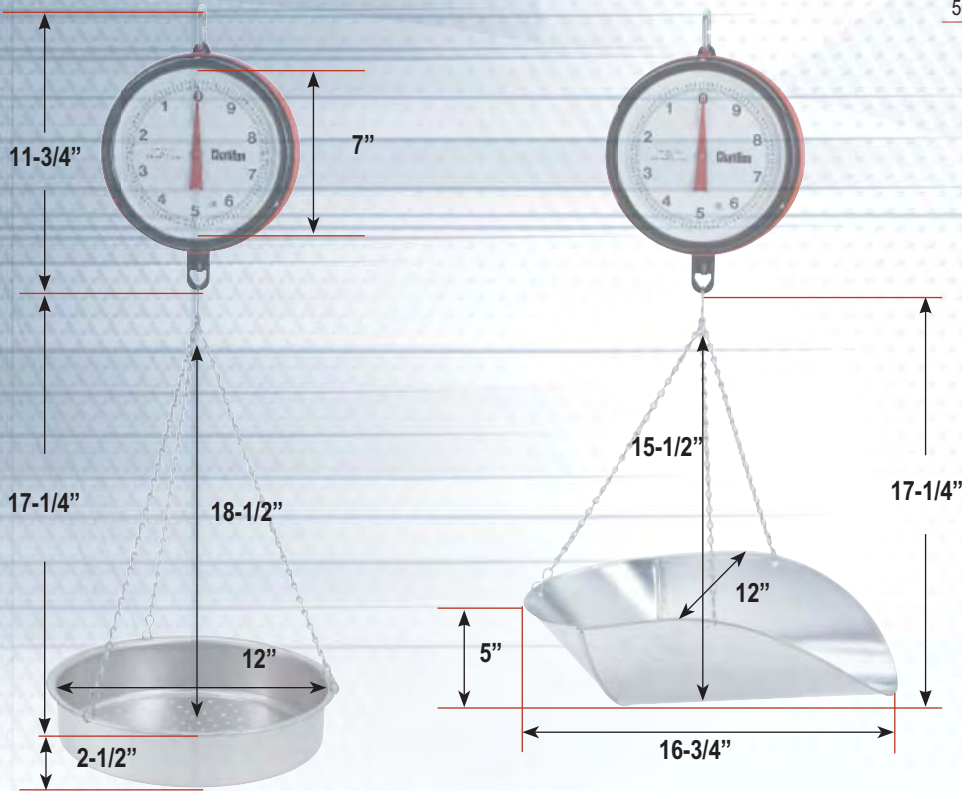
Accuracies - Class III "Legal for Trade"

Model	Resolution	Scale		Tolerance		
		Range	Divisions	Division	Weight	%Accurate
0720-T	20 lb x 1/2 oz	0-15 lb	0-500	+1/2 d	+0.25 oz	+0.08%
		16-20 lb	501-2000	+1 d	+0.5 oz	+0.16%
0740-T	40 lb x 1 oz	0-31 lb	0-500	+1/2 d	+0.5 oz	+0.08%
		32-40 lb	501-2000	+1 d	+1 oz	+0.16%

These accuracies and tolerances are based on Handbook 44 Guidelines.

Accessories

Part No.	Description
23120	CAS Pan Assembly
5681-5	CG Scoop Assembly



H44 Class III "Legal for Trade"

Old Model	New Model	Capacity	Dial	Attachment
0720T	0720-T	20 lb x 1/2 oz	Single	None
0723TAS	0720-T-CAS	20 lb x 1/2 oz	Single	CAS Pan
0723TG	0720-T-CG	20 lb x 1/2 oz	Single	CG Scoop
0720TDD	0720DD-T	20 lb x 1/2 oz	Double	None
0723TASDD	0720DD-T-CAS	20 lb x 1/2 oz	Double	CAS Pan
0723TGDD	0720DD-T-CG	20 lb x 1/2 oz	Double	CG Scoop
0724T	0740-T	40 lb x 1 oz	Single	None
0724TAS	0740-T-CAS	40 lb x 1 oz	Single	CAS Pan
0724TG	0740-T-CG	40 lb x 1 oz	Single	CG Scoop
0724TDD	0740DD-T	40 lb x 1 oz	Double	None
0724TASDD	0740DD-T-CAS	40 lb x 1 oz	Double	CAS Pan
0724TGDD	0740DD-T-CG	40 lb x 1 oz	Double	CG Scoop

Certificate of Conformance No. 86-030A, Model 027/A was issued under the national Type Evaluation Program of the National Conference on Weights and Measures, that the design conforms to NIST Handbook 44 Class III. The scale is "Legal for Trade" subject to on-site verification by the local Weights and Measures jurisdictions.

H44 Class IIII

Old Model	New Model	Capacity	Dial	Attachment
0720	0720-X	20 lb x 1 oz	Single	None
0723AS	0720-X-CAS	20 lb x 1 oz	Single	CAS Pan
0723G	0720-X-CG	20 lb x 1 oz	Single	CG Scoop
0720DD	0720DD-X	20 lb x 1 oz	Double	None
0723ASDD	0720DD-X-CAS	20 lb x 1 oz	Double	CAS Pan
0723GDD	0720DD-X-CG	20 lb x 1 oz	Double	CG Scoop
0724	0740-X	40 lb x 2 oz	Single	None
0724AS	0740-X-CAS	40 lb x 2 oz	Single	CAS Pan
0724G	0740-X-CG	40 lb x 2 oz	Single	CG Scoop
0724DD	0740DD-X	40 lb x 2 oz	Double	None
0724ASDD	0740DD-X-CAS	40 lb x 2 oz	Double	CAS Pan
0724GDD	0740DD-X-CG	40 lb x 2 oz	Double	CG Scoop
K0720	K0720-X	20 kg x 50 g	Single	None
K0723AS	K0720-X-CAS	20 kg x 50 g	Single	CAS Pan
K0723G	K0720-X-CG	20 kg x 50 g	Single	CG Scoop
K0720DD	K0720DD-X	20 kg x 50 g	Double	None
K0723ASDD	K0720DD-X-CAS	20 kg x 50 g	Double	CAS Pan
K0723GDD	K0720DD-X-CG	20 kg x 50 g	Double	CG Scoop