

The New Entris®.

Just Weighing.



- Monolithic weigh cell for long-term high accuracy
- Built-in applications and function keys for convenient operation
- Backlit, high-contrast display for user-friendly guidance

AC Adapter

Sartorius AC adaptor module	6971790 with interchangeable country-specific plug-in AC adaptors
Primary	100 – 240 V~, –10% +10%, 50 – 60 Hz, 0.2 A
Secondary	15 V DC, ± 5%, 530 mA (max.) 8 Watt (max.): 0 to +40 °C and 15 V DC, ± 5%, 330 mA (max.) 5 Watt (max.): 0 to +50 °C
Other data	protection class II, in accordance with EN IEC 60950-1 up to 3000 m above sea level; IP40 as per EN IEC 60529

Balance

Power supply	only via Sartorius AC adaptor module 6971790
Input voltage	12.0 ... 18.0 V DC
Power consumption	2 W (typically)

Ambient Conditions

The specifications apply when the following ambient conditions are in place:

Environment	for indoor use only
Ambient temperature	+10 °C to +30 °C
Operational capacity	guaranteed between +5 °C and +45 °C
Storage and shipping	–10 °C to +60 °C
Elevation	up to 3000 m above sea level
Relative humidity	15% to 80% for temperatures up to 31 °C; non-condensing, decreasing linearly to 50% relative humidity at 40 °C and 20% at 50 °C

Safety of electrical equipment	in accordance with EN 61010-1/IEC 61010-1 Safety requirements for electrical equipment for measurement, control, and laboratory use – Part 1: General requirements
---------------------------------------	---

Electromagnetic compatibility	in accordance with EN 61326-1/IEC 61326-1 Electrical equipment for measurement, control, and laboratory use – EMC requirements – Part 1: General requirements
--------------------------------------	--

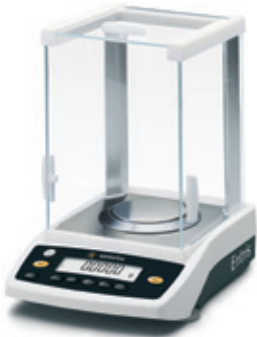
Defined immunity to interference	Suitable for use in industrial areas
----------------------------------	--------------------------------------

Interference emission	Class B (suitable for use in residential areas and areas that are connected to a low voltage network that also supplies residential buildings). The device can therefore be used in both areas.
-----------------------	---

Technical Specifications

Standard Equipment

Levelling	Glass level indicator with air bubble for centering
Calibration	External calibration
Selectable weight units	Grams, Kilograms, Carats, Pounds, Ounces, Troy ounces, Hong Kong taels, Singapore taels, Taiwan taels, Grains, Pennyweights, Milligrams, Parts per pound, China taels, Mommies, Austrian carats, Tola, Baht, Mesghal, Tons, Pounds: ounces, Newton
Interface	RS232C 25-pin
Display	White backlit, high-contrast display with 15 mm digits
Standard built-in applications	Weighing, Density, Percentage, Counting, Animal Weighing, Conversion
Languages	English, French, German, Italian, Polish, Russian, Spanish
Anti-theft lock	Lockdown capability for cable or chain
Underfloor weighing	Integrated



Design 1



Design 2



Design 3



Design 4

Analytical Balances Entris®

Model		ENTRIS224-1S	ENTRIS124-1S	ENTRIS64-1S
Weighing capacity	g	220	120	60
Readability	mg	0.1	0.1	0.1
Repeatability (standard deviation)	mg	0.1	0.1	0.1
Linearity deviation	mg	0.2	0.2	0.2
Sensitivity drift between +10 °C and +30 °C	± ppm/K	3	3	3
Typical stabilization time	s	2.5	2.5	2.5
Weighing pan size	mm	Ø 90	Ø 90	Ø 90
Weighing chamber height	mm	173 × 176 × 240	173 × 176 × 240	173 × 176 × 240
Net weight, approx.	kg	4.4	4.4	4.4
Calibration		External	External	External
Design		1	1	1
Dimensions, D × W × H	mm	230 × 303 × 330		
	Inch	9.1 × 11.9 × 13		

Precision Balances Entris®

Model		ENTRIS 623-1S	ENTRIS 423-1S	ENTRIS 323-1S	ENTRIS 153-1S	ENTRIS 6202-1S	ENTRIS 4202-1S	ENTRIS 3202-1S	ENTRIS 2202-1S
Weighing capacity	g	620	420	320	150	6,200	4,200	3,200	2,200
Readability	mg	1	1	1	1	10	10	10	10
Repeatability (standard deviation)	mg	1	1	1	1	10	10	10	10
Linearity deviation	mg	2	2	2	2	30	30	30	30
Sensitivity drift between +10 °C and +30 °C	± ppm/K	3	3	3	3	4	4	4	4
Typical stabilization time	s	1.0	1.0	1.1	1.3	1.5	1.5	1.5	1.5
Weighing pan size	mm	∅ 115	∅ 115	∅ 115	∅ 115	180×180	180×180	180×180	180×180
Weighing chamber height	mm	-	-	-	-	-	-	-	-
Net weight, approx.	kg	3.2	3.2	3.2	2.6	3.1	3.1	3.1	3.1
Calibration		External	External	External	External	External	External	External	External
Design		2	2	2	2	4	4	4	4
Dimensions, D×W×H	mm Inch	230×303×136 9.1×11.9×5.4				230×303×91 9.1×11.9×3.6			

Model		ENTRIS822-1S	ENTRIS8201-1S	ENTRIS5201-1S	ENTRIS2201-1S
Weighing capacity	g	820	8,200	5,200	2,200
Readability	mg	10	100	100	100
Repeatability (standard deviation)	mg	10	100	100	100
Linearity deviation	mg	30	300	300	300
Sensitivity drift between +10 °C and +30 °C	± ppm/K	4	8	8	8
Typical stabilization time	s	1.5	1.5	1.5	1.5
Weighing pan size	mm	∅ 150	180×180	180×180	180×180
Weighing chamber height	mm	-	-	-	-
Net weight, approx.	kg	2.0	2.7	2.7	2.7
Calibration		External	External	External	External
Design		3	4	4	4
Dimensions, D×W×H	mm Inch	230×303×87 9.1×11.9×3.4	230×303×91 9.1×11.9×3.6	230×303×91 9.1×11.9×3.6	230×303×91 9.1×11.9×3.6

Optional Accessories

Printers and Communications

Standard Laboratory Printer	YDP20-OCE
– Printer paper	6906937
– Ink ribbon rolls	6906918
Data cable RS232C USB	YCC01-USBM2

General

Battery pack for Standard Lab Balances	YRB11Z
Second display, backlit LCD, character height: 15 mm	YRD03Z
Ionizing blower, for electrostatically charge of samples	
– 220-230 V	YIB01-ODR
– 110-115 V	YIB01-OUR
Stat pen, for neutralize static electricity on samples (100 – 230 V, 50 60 Hz)	YSTP01
In-use cover for balances with rectangular weighing pan	6960ED01
In-use cover for balances with round weighing pan	6960ED02

Density Determination

Density kit for analytical balances	YDK01LP
-------------------------------------	---------

Calibration Weights

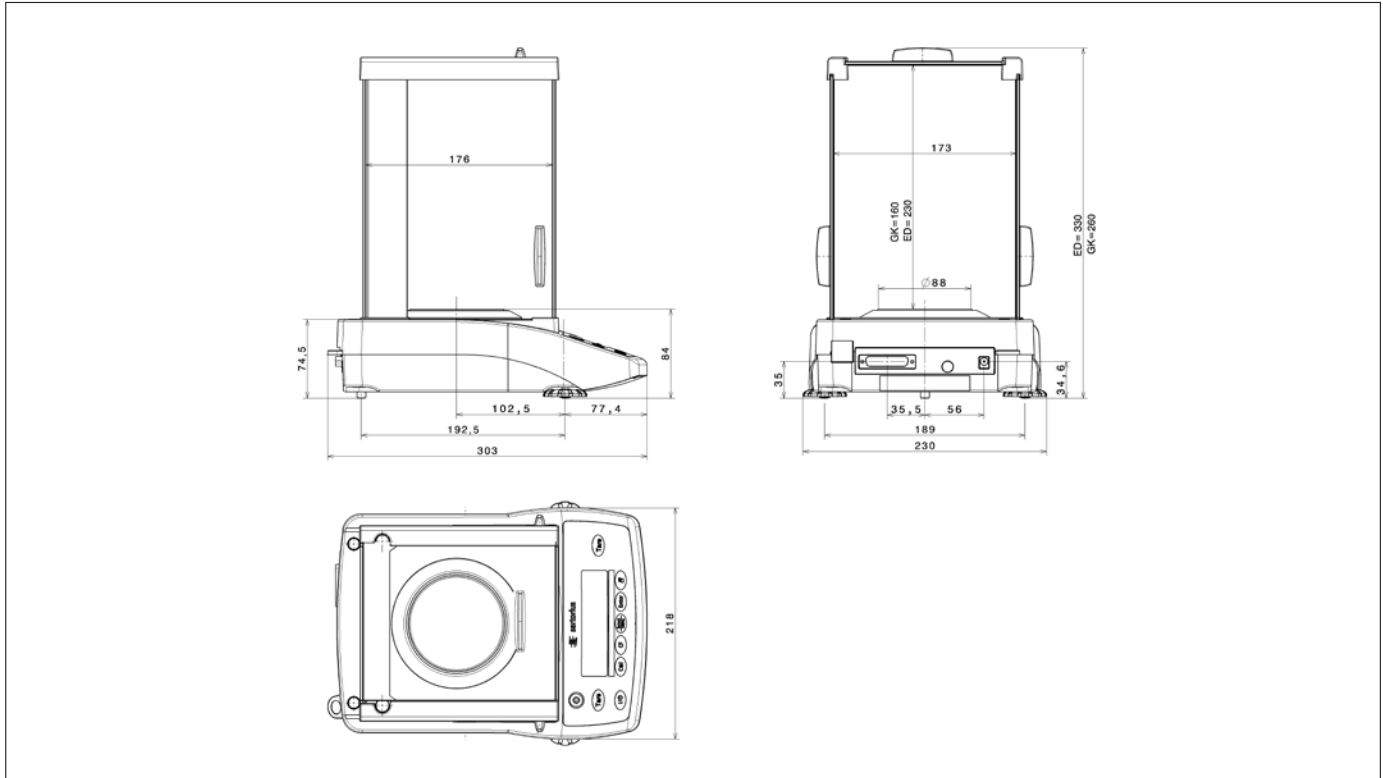
Calibration for lab balance model 224	YCW522-AC-02
– Proof Line knob weight 200 g, OIML class E2, with DAkkS certificate	
Calibration for lab balance model 124	YCW512-AC-02
– Proof Line knob weight 100 g, OIML class E2, with DAkkS certificate	
Calibration for lab balance model 64	YCW452-AC-02
– Proof Line knob weight 50 g, OIML class E2, with DAkkS certificate	
Calibration for lab balance model 623	YCW553-AC-02
– Proof Line knob weight 500 g, OIML class F1, with DAkkS certificate	
Calibration for lab balance model 423; 323	YCW523-AC-02
– Proof Line knob weight 200 g, OIML class F1, with DAkkS certificate	
Calibration for lab balance model 153	YCW513-AC-02
– Proof Line knob weight 100 g, OIML class F1, with DAkkS certificate	
Calibration for lab balance model 6202	YCW653-AC-02
– Proof Line knob weight 5 kg, OIML class F1, with DAkkS certificate	
Calibration for lab balance model 4202; 3202; 2202	YCW623-AC-02
– Proof Line knob weight 2 kg, OIML class F1, with DAkkS certificate	
Calibration for lab balance model 822	YCW554-AC-02
– Proof Line knob weight 500 g, OIML class F2, with DAkkS certificate	
Calibration for lab balance model 8201; 5201	YCW654-AC-02
– Proof Line knob weight 5 kg, OIML class F2, with DAkkS certificate	
Calibration for lab balance model 2201	YCW624-AC-02
– Proof Line knob weight 2 kg, OIML class F2, with DAkkS certificate	



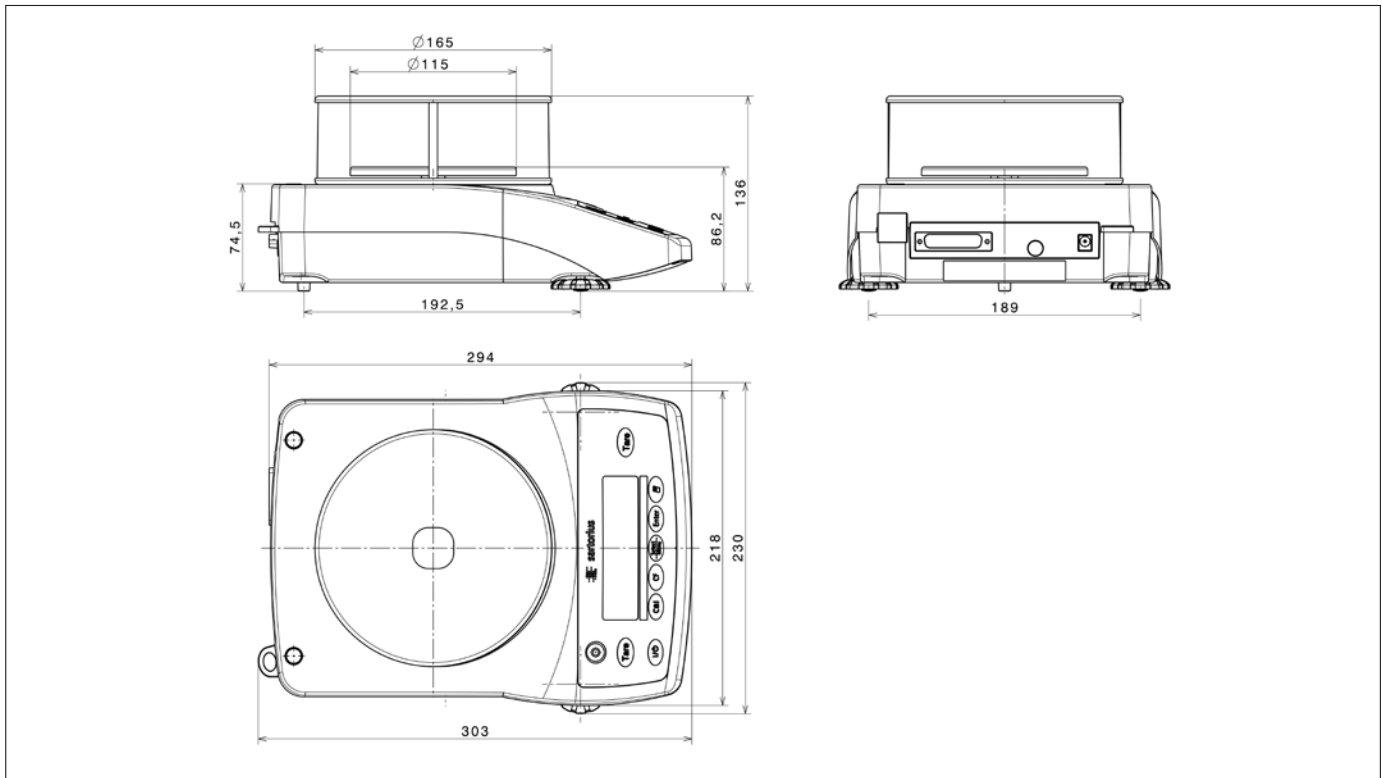
YDP20-OCE, Standard Laboratory Printer

Technical Drawings

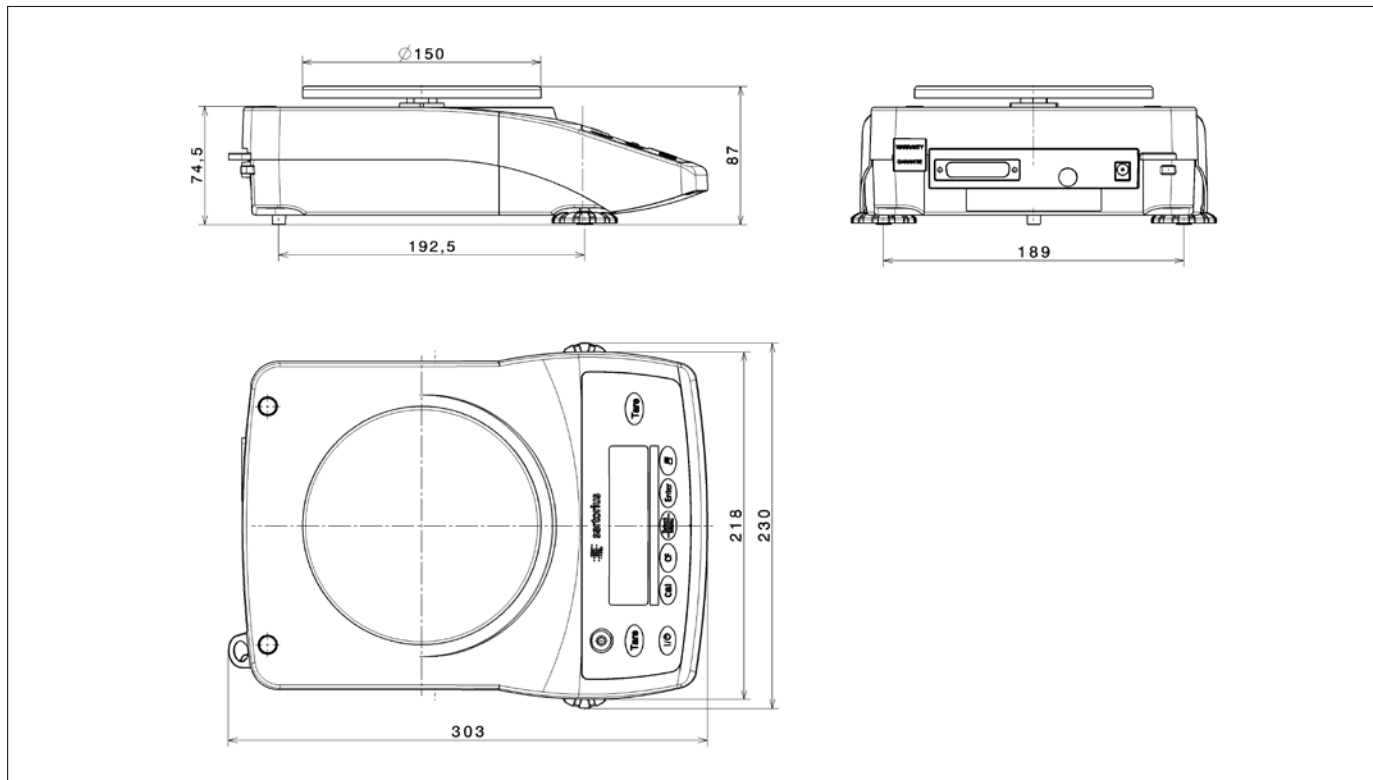
Models with a readability of 0.1 mg, in mm



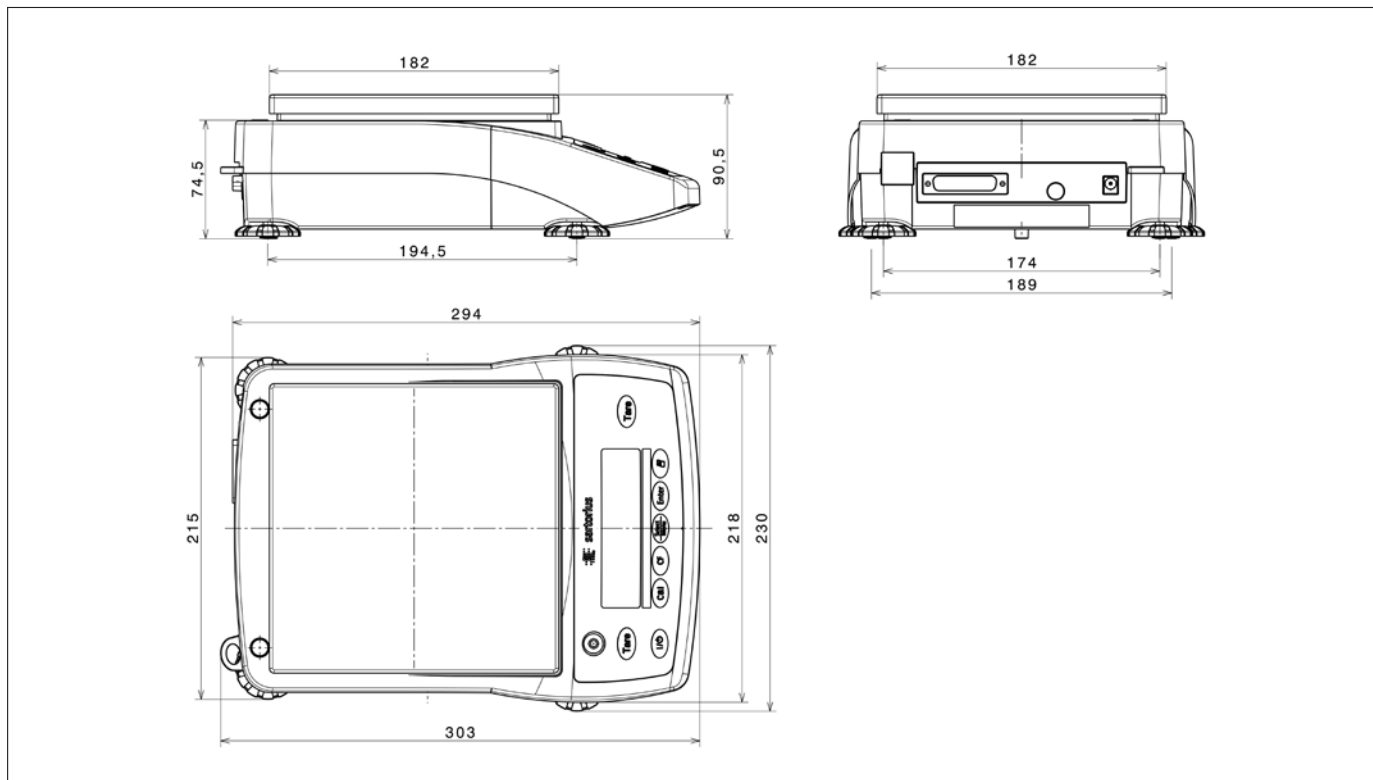
Models with a readability of 1 mg, in mm



Models with a readability of ≥ 10 mg (in mm) and round weighing pan



Models with a readability of ≥ 10 mg (in mm) and rectangular weighing pan



Sales and Service Contacts

For further contacts, visit www.sartorius.com

Europe

Germany

Sartorius Lab Instruments
GmbH & Co. KG
Weender Landstrasse 94-108
37075 Goettingen

Phone +49.551.308.0
Fax +49.551.308.3289

France & Suisse Romande

Sartorius France S.A.S.
ZI Les Paluds
Avenue de Jouques - CS 31090
13781 Aubagne Cedex

Phone +33.442.845600
Fax +33.442.846545

Austria

Sartorius Austria GmbH
Franzosengraben 12
1030 Vienna

Phone +43.1.7965760.0
Fax +43.1.7965760.24

Belgium

Sartorius Belgium N.V.
Leuvensesteenweg, 248/B
1800 Vilvoorde

Phone +32.2.756.06.71
Fax +32.2.253.45.95

Finland & Baltics

Sartorius Biohit Liquid Handling Oy
Laippatie 1
00880 Helsinki

Phone +358.9.755.951
Fax +358.9.755.95.292

Hungary

Sartorius Hungária Kft.
Kagyló u. 5.
2092 Budakeszi

Phone +3623.457.227
Fax +3623.457.147

Ireland

Sartorius Ireland Ltd.
Unit 41, The Business Centre
Stadium Business Park
Ballycoolin Road
Dublin 11

Phone +353.1.8089050
Fax +353.1.8089388

Italy

Sartorius Italy S.r.l.
Via dell'Antella, 76/A
50012 Antella-Bagno a Ripoli (FI)

Phone +39.055.63.40.41
Fax +39.055.63.40.526

Poland

Sartorius Poland sp.z o.o.
ul. Wrzesinska 70
62-025 Kostrzyn

Phone +48.61.6473830
Fax +48.61.6473839

Russian Federation

LLC "Sartorius ICR"
and LLC "Biohit"
Uralskaya str. 4, Lit. B
199155, Saint-Petersburg

Phone +7.812.327.5.327
Fax +7.812.327.5.323

Spain & Portugal

Sartorius Spain S.A.
Offices in Madrid:
C/ Isabel Colbrand, 10-12, of. 70
28050 Madrid

Phone Spain +34.902.123.367
Phone Portugal +351.800.855.800
Fax Spain +34.91.358.84.85
Fax Portugal +351.800.855.799

Switzerland

Sartorius Mechatronics Switzerland AG
Ringstrasse 24a
8317 Tagelswangen (ZH)

Phone +41.44.746.50.00
Fax +41.44.746.50.50

U.K.

Sartorius UK Ltd.
Longmead Business Centre
Blenheim Road, Epsom
Surrey KT19 9QQ

Phone +44.1372.737159
Fax +44.1372.729927

America

USA

Sartorius Corporation
5 Orville Drive, Suite 200
Bohemia, NY 11716

Phone +1.631.254.4249
Toll-free +1.800.635.2906
Fax +1.631.254.4253

Argentina

Sartorius Argentina S.A.
Int. A. Avalos 4251
B1605ECS Munro
Buenos Aires

Phone +54.11.4721.0505
Fax +54.11.4762.2333

Brazil

Sartorius do Brasil Ltda
Avenida Senador Vergueiro 2962
CEP 09600-000 São Bernardo
do Campo- SP- Brasil

Phone +55.11.4362.8900
Fax + 55.11.4362.8901

Canada

Sartorius Canada Inc.
2179 Dunwin Drive #4
Mississauga, ON L5L 1X2

Phone +1.905.569.7977
Toll-Free +1.800.668.4234
Fax +1.905.569.7021

Mexico

Sartorius de México S.A. de C.V.
Circuito Circunvalación Poniente
No. 149
Ciudad Satélite
53100, Estado de México
México

Phone +52.5555.62.1102
Fax +52.5555.62.2942

Asia | Pacific

Australia

Sartorius Australia Pty. Ltd.
Unit 5, 7-11 Rodeo Drive
Dandenong South Vic 3175

Phone +61.3.8762.1800
Fax +61.3.8762.1828

China

Sartorius Scientific
Instruments (Beijing) Co., Ltd.
33 Yu An Road, Airport Industrial Park
Zone B,
Shunyi District, Beijing 101300,
P.R.China

Phone +86.10.8042.6300
Fax +86.10.8042.6486

Hong Kong

Sartorius Hong Kong Ltd.
Unit 1012, Lu Plaza
2 Wing Yip Street
Kwung Tong
Kowloon, Hong Kong

Phone +852.2774.2678
Fax +852.2766.3526

India

Sartorius Weighing India Pvt. Ltd.
#69/2-69/3, NH 48, Jakkasandra,
Nelamangala Tq
562 123 Bangalore, India

Phone +91.80.4350.5250
Fax +91.80.4350.5253

Japan

Sartorius Stedim Japan K.K.
4th Fl., Daiwa Shinagawa North Bldg.
8-11, Kita-Shinagawa 1-chome
Shinagawa-ku, Tokyo, 140-0001 Japan

Phone +81.3.4331.4300
Fax +81.3.4331.4301

Malaysia

Sartorius Malaysia Sdn. Bhd
Lot L3-E-3B, Enterprise 4
Technology Park Malaysia
Bukit Jalil
57000 Kuala Lumpur, Malaysia

Phone +60.3.8996.0622
Fax +60.3.8996.0755

Singapore

Sartorius Singapore Pte. Ltd
1 Science Park Road,
The Capricorn, #05-08A,
Singapore Science Park II
Singapore 117528

Phone +65.6872.3966
Fax +65.6778.2494

South Korea

Sartorius Korea Ltd.
8th Floor, Solid Space B/D,
PanGyoYeok-Ro 220, Bundang-Gu
SeongNam-Si, GyeongGi-Do, 463-400

Phone +82.31.622.5700
Fax +82.31.622.5799

Thailand

Sartorius (Thailand) Co. Ltd.
129 Rama 9 Road,
Huaykwang
Bangkok 10310

Phone +66.2643.8361-6
Fax +66.2643.8367



◀ www.sartorius.com