



Tilt up-down, 90°



Turn left-right, 360°



Water Resistant

# BW SERIES

## Bench Scale

The BW Series Bench scale is an ideal scale for use in many industrial applications. Equipped with counting and checkweighing functions. The tilt and swivel indicator allows for easy reading. The BW Series platform is environmentally sealed to IP65 standards and built to stand up to years of use. Use in warehouses, shipping departments, or any general purpose weighing application.

- Protection level up to IP65 standards
- Tilt (90°) and swivel (360°) display
- Large LCD display (23.5mm)
- Wall mount kit (optional)
- Legal for trade



# BW SERIES | Bench Scale

## SPECIFICATIONS

Model	BW-60	BW-150
Capacity	150 x 0.05 lbs 60 x 0.02 kg	300 x 0.1 lbs 150 x 0.05 kg
Max. Tare	Maximum Capacity	
Internal Resolution	30,000	
External Resolution	1/3,000	
Display Digit	5 Digit (0.92 inch)	
Display Type	LCD	
Display Designator	STABLE, ZERO, NET, TARE, HI/OK/LOW, BAT, PCS, POWER, MINUS, KG, LB	
Operating Temp.	-10° C ~ 40° C / 14° F ~ 104° F	
Power	DC 9 V (6 - Size "C") - Mn, Alkaline Battery DC 12V 850 mA AC Adapter	
Power Consumption	Approx. 0.15 W	
Battery Life	Alkaline Dry Battery: 300 hr	
Platter Size (mm)	15.7 (W) x 20.7 (D)	
Dimensions (mm)	16.7 (W) x 26.6 (D) x 29.7 (H)	
Product Weight (kg)	38.4 lbs	

## FEATURES

- 150 and 300 lb capacities
- Battery or AC operated (AC Adapter Included)
- Tilt and swivel head
- Lb/kg Switchable
- Stainless Steel Platter
- Large LCD Display (0.92 inch)
- Check Weigh Function (Low/OK/High)
- Counting Feature (Not Legal for Trade)
- RS-232C Interface
- Legal for Trade - COC #98-085
- *Warranty - Two Years*

## OPTIONS

- Wall Mount Kit
- DEP-50 Receipt Printer
- RS-232C Cable
- Wet Cover



Wall mount kit



Receipt Samples



DEP-50 Receipt Printer

## Indicator Mounting Options



BW Series  
with Pole Mounted Indicator



BW Series with Optional  
Wall Mounted Indicator

## SWIVEL & TILTABLE HEAD DESIGN

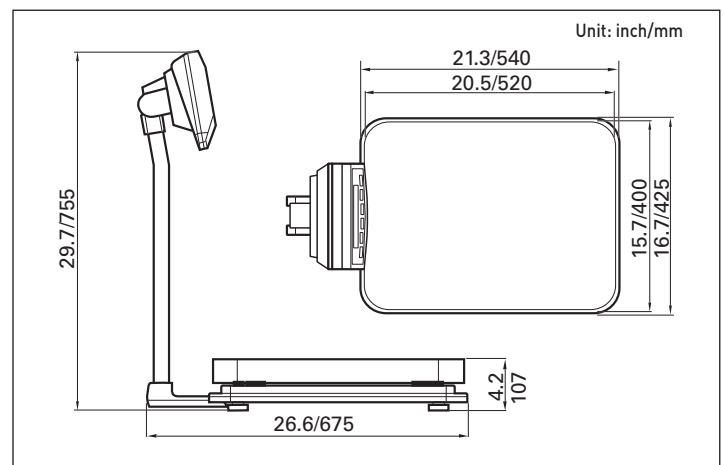


Tilt up-down, 90°(Max.)



Turn left-right, 360°(Max.)

## DIMENSIONS



# CAS

99 Murray Hill Parkway  
East Rutherford, NJ 07073

TEL: (201) 933-9002

FAX: (201) 933-9025

http://www.cas-usa.com

Specifications are subject to change for improvement without prior notice.

