

# BP15 Series Bench Platform Scales

Specification Sheet  
SS-BP15-1206  
December 2006

The CHATILLON® BP15 Series bench platform scale features a large, easy-to-read 15-inch (380 mm) dial with knife-edge pointer for accurate measurements. Scales are supplied for H44 Class III "Legal for Trade" applications. Designed for platform use, the BP15 features a rugged cast-iron base with heavy-gauge steel platform for excellent stability. The scale's mounting feet are adjustable. Options include a stainless steel platform, 7-inch (178 mm) deep provisional pan and quick tare knob. Tare adjustments may be made up to 10% of rated capacity. The scale's head cover and column back are removable for easy access to the dial mechanism and the dashpot. Units are shipped assembled.

## Features

- ❑ H44 Class III "Legal for Trade" and No Class Models
- ❑ Pound or Kilogram Dials
  - Capacities up to 400 lbs & 200 kg
- ❑ Rugged Cast Iron Base and Heavy-Gauge Steel Construction
- ❑ Large, 15-inch (380 mm) Easy-to-Read Dial with Knife-edge Pointer
- ❑ 1 Year Warranty

## Specifications

<b>Accuracy:</b>	<i>See Ordering Information</i>
<b>Maximum Overload:</b>	125% of Rated Capacity
<b>Tare Capacity:</b>	10% of Rated Capacity
<b>Dial Revolutions:</b>	Full Scale in 1 Revolution
<b>Dial Resolution:</b>	100:1
<b>Operating Temperature:</b>	45°F to 100°F (7°C to 38°C)
<b>Weight:</b>	100 lbs (45.5 kg)



## Ordering

### Accuracies - Class III "Legal for Trade"

Model	Resolution	Range	Scale		Tolerance	
			Divisions	Division	Weight	%Accurate
BP15-050-T	50 lb x 1 oz	0-31 lb	0-500	±1/2 d	±1/2 oz	±0.06%
		32-50 lb	501-2000	±1 d	±1 oz	±0.13%
BP15-100-T	100 lb x 2 oz	0-62 lb	0-500	±1/2 d	±1 oz	±0.06%
		63-100 lb	501-2000	±1 d	±2 oz	±0.13%
BP15-200-T	200 lb x 4 oz	0-124 lb	0-500	±1/2 d	±2 oz	±0.06%
		125-200 lb	501-2000	±1 d	±4 oz	±0.13%
BP15-400-T	400 lb x 8 oz	0-248 lb	0-500	±1/2 d	±4 oz	±0.06%
		249-400 lb	501-2000	±1 d	±8 oz	±0.13%
BP15-025K-T	25 kg x 50 g	0-25 kg	0-500	±1/2 d	±25 g	±0.10%
			501-2000	±1 d	±50 g	±0.20%
BP15-050K-T	50 kg x 100 g	0-50 kg	0-500	±1/2 d	±50 g	±0.10%
			501-2000	±1 d	±100 g	±0.20%

### Accuracies - No Class

Model	Resolution	Range	Scale		Tolerance	
			Divisions	Division	Weight	%Accurate
BP15-100K-T	100 kg x 250 g	0-12 kg	0-50	±1/2 d	±125 g	±0.13%
		13-50 kg	51-200	±1 d	±250 g	±0.25%
		51-100 kg	201-400	±1-1/2 d	±375 g	±0.38%
BP15-200K-T	200 kg x 500 g	0-24 kg	0-50	±1/2 d	±250 g	±0.13%
		25-100 kg	51-200	±1 d	±500 g	±0.25%
		101-200 kg	201-400	±1-1/2 d	±750 g	±0.38%
		401 & Up	401 & Up	±2-1/2 d	±1250 g	±0.63%

*These accuracies and tolerances are based on Handbook 44 Guidelines.*

*Certificate of Conformance No. 88-096A1, Model 13/A and Type 15, was issued under the national Type Evaluation Program of the National Conference on Weights and Measures, that the design conforms to NIST Handbook 44 Class III. The scale is "Legal for Trade" subject to on-site verification by the local Weights and Measures jurisdictions.*

*Class III models meet all requirements of NIST Handbook 44 Class III. Usage of Class III scales in trade is limited to certain transactions. Consult your local Office of Weights and Measures for clarification.*

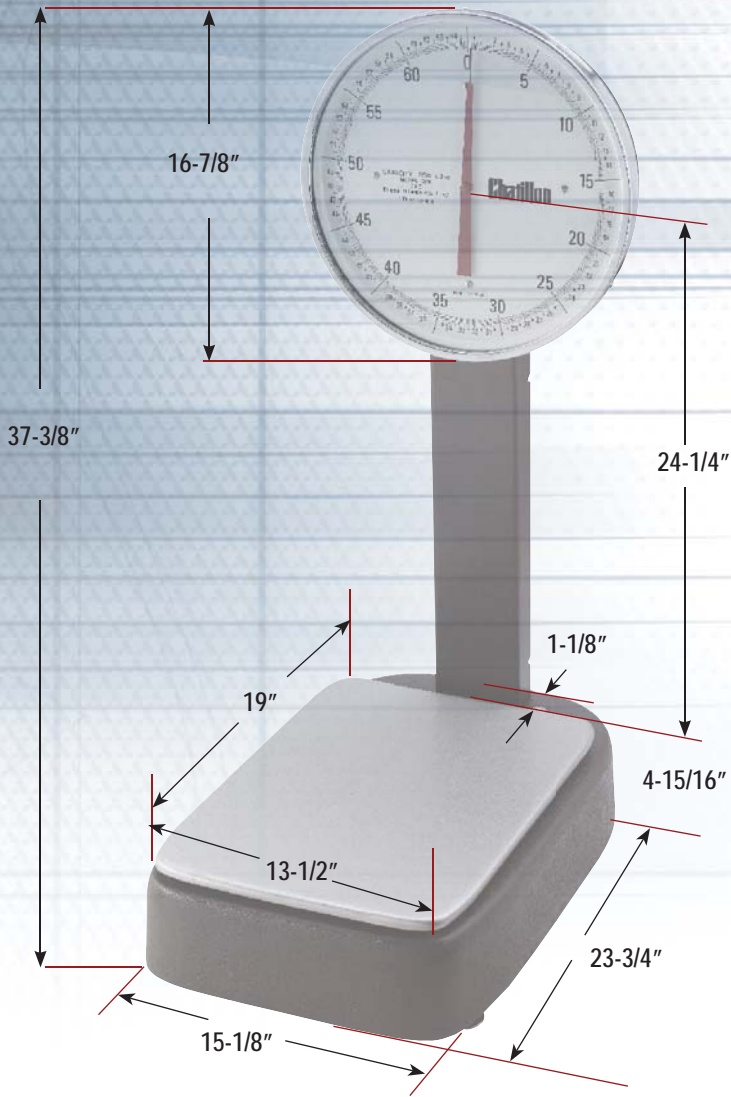
BP15 Series



Visit Us on the Web at [www.chatillon.com](http://www.chatillon.com)

**Chatillon**   
A registered trademark of AMETEK Inc.

## Dimensions



## Accessories

Part No.	Description
16012	Stainless Steel Platform Cover
23019	Stainless Steel Provision Pan

### Notes:

The provision pan weighs approximately 10 lbs. Scales with capacities less than 100 lbs must be back-started.



Optional Provision Pan (23019)



## US GAUGE DIVISION

Americas  
AMETEK US Gauge Division  
8600 Somerset Drive  
Largo, Florida 33773  
United States of America  
Tel +1-727-536-7831  
Tel +1-800-527-9999  
Fax +1-727-539-6882  
Email chatillon.fl.har@ametek.com

United Kingdom  
Lloyd Instruments Ltd.  
12 Barnes Wallis Road  
Segensworth East  
Fareham  
Hants, PO15 5TT  
United Kingdom  
Tel +44 (0) 1489 486 399  
Fax +44 (0) 1489 885 118  
Email uk.far.general@ametek.co.uk

France  
AMETEK S.A.S.  
Rond Point de l'Epine des Champs  
Buro Plus - Bat. D  
78990 Elancourt  
France  
Tel +33 (0)1 30 68 89 40  
Fax +33 (0)1 30 68 89 49  
Email general@lloyd-instruments.com

Germany  
AMETEK GmbH  
Rudolf-Diesel-Strasse 16  
D-40670 Meerbusch  
Germany  
Tel +49 (0)2159 9136-70  
Fax +49 (0)2159 9136-39  
Email info@ametek.de

Singapore  
AMETEK Singapore Pvt. Ltd.  
10 Ang Mo Kio Street 65  
#05-12 Techpoint  
Singapore 569059  
Tel +65-484-2388  
Fax +65-481-6588  
Email aspl@ametek.com.sg

Visit Us on the Worldwide Web at:  
[www.chatillon.com](http://www.chatillon.com)

© 2006 by AMETEK, Inc.

Information within this document is subject to change without notice.

ISO 9001/2000  
Manufacturer