



OHAUS Aviator™ 7000

Advanced Price Computing Retail Scale



High Speed Operation, Reliability, Cost Efficiency – Mobile Power

Aviator™ 7000 has been conceived to offer optimum quality versus price in order to guarantee the robustness, operating speed and accuracy you need, whatever your retail environment. The Light-Touch layer keyboard is setting standards thanks to its fast operation, easy cleaning and cost efficiency, whilst the large 4-line LCD including separate tare line makes daily tasks simple. For secure and easy transportation the Aviator™ 7000 includes practical design features such as Ergo grips and integrated cable storage. In addition it offers POS protocol support, external printing enabling accumulation, along with reporting options. This high precision weighing instrument complies with the latest industry standards including 10V/meter OIML regulations. Features like the power adapter with PowerEfficiency Level V and RoHS compliant components also demonstrate our commitment to electronic safety, accuracy and environmental care. Overall the Aviator 7000 offers you a complete package of features rarely seen on an entry level price-computing scale - ensuring that it stands out from the crowd.

Standard Features Include:

- **Light-Touch Technology** – This innovative keyboard technology delivers advanced weighing and signal processing for extremely fast operation and the keysheet layers can be exchanged for optimum hygiene and cost efficiency.
- **User Friendly Keyboard Functionality** – Increase the speed of your workflow thanks to quick price look up and function keys. The numeric block is designed for simple, intuitive operation which also helps to speed up price inputting tasks.

OHAUS Aviator™ 7000 Advanced

- **Connectivity** – Aviator 7000 can be connected to an external printer or an electronic cash register. Printing tickets and reports and working with accumulated transactions are also offered as standard.
- **Robust and Mobile** – The Aviator 7000 is constructed from stamped parts with a sturdy frame plus a large, robust stainless steel weighing plate for easy weighing of larger items. The stainless steel is of high quality making it water resistant and easy to keep hygienic, vital for food safety. For even higher protection, covers are available for both the scale and PLU. The option of rechargeable NiMH or standard size D commercial batteries, deliver full mobility for fast business any-time, anywhere.
- **Large, bright LCD Display** – Four display lines - including an extra line highlighting preset tares - combined with bright backlight, ensure that the display is clear and easy to read in all conditions. One display instead of the three separate windows, more commonly found on price computing scales, gives the user a faster overview and operation.
- **Reliable Performance** – OHAUS' long-term experience in engineering precise weighing instruments ensures fast customer transactions and long-lasting performance. Aviator 7000 stands for user friendly functionality and operation. The high quality of the load cell ensures long-term reliability whilst the high speed stabilization means fast signal processing and therefore fast price calculation.

Applications



Specialty Shop:
Sweets, tea, chocolate



Aviator in the
Cheese shop



*Please find here
the product's sales
video*

Aviator 7000 is a stylish, portable retail scale suited to a range of retail environments such as open markets, mobile business or smaller specialty shops. Its robust yet lightweight construction, including a high quality stainless steel plate, make it perfect for these kinds of environment where food hygiene, portability and sturdiness are prerequisites. Coupled with its high quality weighing technology this makes the Aviator a reliable and long lasting investment. Using the scale is also fast and effortless thanks to its ergonomic keyboard layout and simple user interface - thus speeding up customer service in all applications. In addition the range of features and options available on the Aviator 7000 means it can easily adapt to your specific business requirements.

Key Features and Benefits

Two Model Options and Several Weighing Ranges

Aviator 7000 is available as a compact or tower model. The compact model is available in the following weighing ranges: 3kg/1g, 12kg/2g, 15kg/5g and 30kg/10g. The tower model is available in the following weighing ranges: 6kg/2g, 15kg/5g.



Light-Touch Keyboard



Aviator 7000 is able to process weighing signals extremely fast to help speed up your tasks. Thanks to its 100 PLU memory and 32 preset keys, it is also able to perform numerous operations such as calculating change, weighing with a 100g price unit, setting fixed unit prices, working with preset tares or using the Hold function when an item is removed from the plate. You can also add your own customised preset card.

Backlit Display

Aviator 7000's bright LCD display contains four lines: 6-digit weight and unit price lines; a 7-digit total price line; plus a fourth 4-digit preset tare line for complete tare transparency. The backlight can be switched on or off according to the ambient lighting and to save power the scale automatically goes into the sleep mode when not in use.



Ergo Grips



Two ergonomic grips on the lower side of the scale combined with its light net weight make it extremely easy to transport.

Fixed Positioning

The Aviator's adjustable non-slip rubber feet make levelling simple and ensures that the scale does not move around whilst in use.



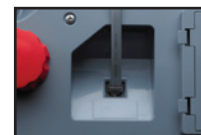
Mobile Business Through Battery Support



For complete mobility, the scale can be powered by both rechargeable NiMH batteries or standard size D commercial batteries at the flip of a switch.

POS Add Ons

POS protocol support enables the user to connect an external printer or a POS. Thanks to this printer interface, accumulating, printing with VAT or printing sales and log reports in 5 languages are standard features of the Aviator 7000.



Cable Case



With built-in cable storage, your work area is kept tidy, transportation is simple and the risk of mislaying the power cable is eliminated. To help avoid accidental damage, the power plug is also specially protected.

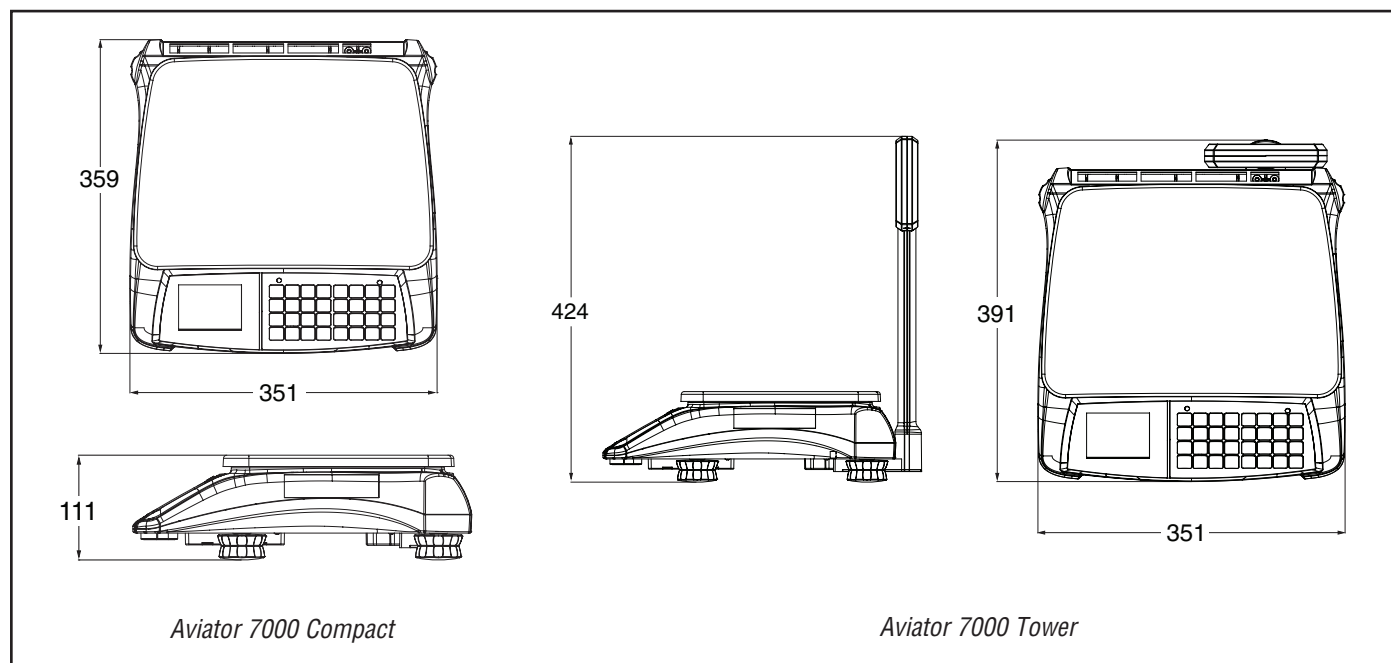
Aviator™ 7000 *Advanced Price Computing Scale*

Specifications

Model	A71P3N	A71P6TN	A71PH12N	A71P15N	A71P15TN	A71P30N
Capacity	3kg/1g	6kg/2g	12kg/2g	15kg/5g	15kg/5g	30kg/10g
Display	LCD with backlight; 6-digit weight, 6-digit unit price, 7-digit total price, 4-digit preset tare					
Key	32 light touch keys					
Preset Key	16 keys, every key can store 2 PLU					
Stainless Steel Pan	240 x 337 mm (trapezoid)					
PLU Quantity	100					
Power	Power adapter: 100~240VAC, 50/60Hz Battery: 6 NiMH or D-Cell batteries					
Gross Weight/Net Weight	Tower version: Gross weight: 5.54 kg/ Net weight: 3.73 kg Compact version: Gross weight: 5.23 kg/ Net weight: 3.42 kg					
Shipping Box (L x W x H)	480mm x 465mm x 180mm					
Working Environment	Temperature: -10°C ~ +40°C; Humidity: 85%RH, non-condensation					
Storage Environment	Temperature: -25°C~+50°C; Humidity: 85%RH, non-condensation					
Weighing Function	Zero, Tare, 100g*, Change*, Hold*, Euro*, 1/2lb*, 1/4lb*, kg/lb*					
Communication	RS232/ USB					

**Not available in all countries*

Outline Dimensions



Accessories

	OHAUS Number
NiMH rechargeable battery (6pcs)	72151831
Plastic cover for pan	72247039
Plastic cover for housing	72247038
Deep plate	72247115
External printer	72248934
Ticket roll	83032812
External printer cable	72249531
RS232 POS connector	72237981
USB POS connector	72237984

Document is subject to technical changes

www.ohaus.com

* ISO 9001:2008
Registered Quality Management System

80774572 © Copyright Ohaus Corporation

