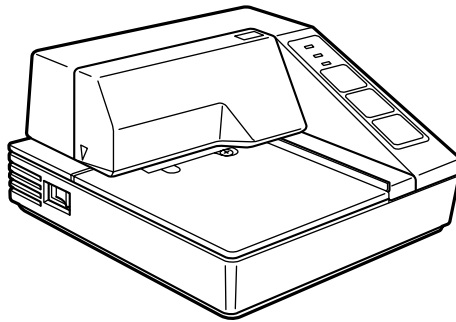
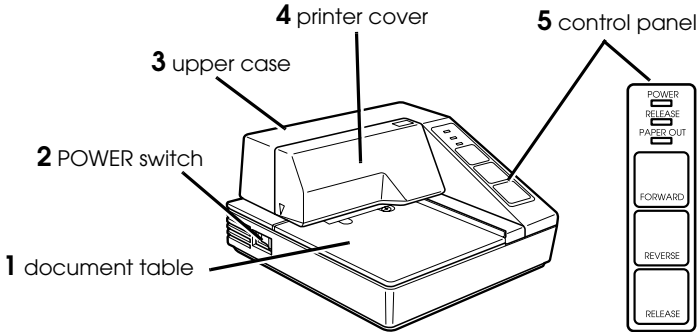


TM-U295/U295P

User's Manual / Bedienungsanleitung
Gebruikershandleiding / Manuel d'utilisation
Manual do utilizador / Manual del usuario
Manuale dell'utente / 使用说明书 / 使用説明書



Printer Parts



DIP Switch Tables

Serial interface

SW	Function	ON	OFF
1	Data receive error	Ignored	Prints "?"
2	Receive buffer	35 bytes	512 bytes
3	Handshaking	XON/XOFF	DTR/DSR
4	Data word length	7 bits	8 bits
5	Parity check	Yes	No
6	Parity selection	Even	Odd
7, 8	Transmission speed (See <i>Serial transmission speed</i> table.)		
9	Pin 6 reset	Used	Not used
10	Pin 25 reset	Used	Not used

Serial transmission speed

8	7	Transmission speed
ON	ON	1200 bps
ON	OFF	2400 bps
OFF	ON	4800 bps
OFF	OFF	9600 bps

Parallel interface

SW	Function	ON	OFF
1	Auto line feed	Enabled	Disabled
2	Receive buffer	35 bytes	512 bytes
3-9	Undefined	—	—
10	Internal use	Fixed to ON	

TM-U295/U295P Specifications

Printing method	Impact dot matrix, 7-pin shuttle type
Printing direction	Unidirectional
Characters per line (default)	5 × 7 font: 35; 7 × 7 font: 42
Character matrix	5 × 7 with 1-dot spacing (normal dots) 7 × 7 with 3-dot spacing (half dots)
Character size	5 × 7 font: 1.6 × 2.9 mm {0.063 × 0.114"} 7 × 7 font: 1.3 × 2.9 mm {0.051 × 0.114"}
Number of characters	Alphanumeric characters: 95; International characters: 32 Extended graphics: 128 × 4
Print speed	1.9 to 2.3/lines/sec. (both 5 × 7 and 7 × 7 fonts)
Paper feed speed	Approx. 12.5 lines/second (52.9 mm/second {2.1"/second})
Line spacing (default)	4.23 mm {1/6"}
Paper types	Normal, pressure-sensitive, and carbon-copy
Paper size	80 × 69 mm {3.15 × 2.72"} (W × L) to 182 × 257 mm {7.17 × 10.12"} (W × L)

Total thickness	Single-ply: 0.09 to 0.25 mm {0.0035 to 0.0098"} Copy paper: 0.09 to 0.35 mm {0.0035 to 0.0138"}	
Number of copies	Original + 1 or 2 copies at 5 to 40°C {41 to 104°F}	
Ribbon cassette	ERC-27	
Interface (compatible)	RS-232 serial or IEEE 1284 parallel	
Receive buffer	512 bytes or 35 bytes	
DKD Function	2 drives	
Power supply*1	+ 24 VDC ± 10%	
Current consumption (at 24V)	Operating: Mean: Approx. 600 mA Peak: Approx. 5.5 A Standby: Approx 100 mA	
Life	Mechanism: 3,000,000 lines Print head: 150 million characters (at 2 dots/wire per character) Ribbon: 1.5 million characters (using a 5 × 7 font)	
MTBF	180,000 hours	
MCBF	7,000,000 lines	
Temperature	Operating: 5 to 40°C {41 to 104°F} Storage: -10 to 50°C {14 to 122°F}, except ribbon and paper	
Humidity	Operating: 30 to 85% RH Storage: 30 to 90% RH, except ribbon and paper	
Overall dimensions	101.5 × 180 × 190.5 mm {4.0 × 7.09 × 7.5"} (H × W × D)	
Weight (mass)	Approximately 1.6 kg {3.52 lb}	

*1: Be sure to use a safety-standards-applied power source that meets the following specifications.
Rated output: 24 V/2.0 A or more, Maximum output: 240 VA or less

Standards and Approvals

The following standards are applied only to the printers that are so labeled. (EMC is tested using the Epson power supplies.)

Europe: CE marking
North America: FCC/ICES-003 Class A
Oceania: AS/NZS CISPR Class A

WARNING

This is a Class A product. In a domestic environment this product may cause radio interference in which case the user may be required to take adequate measures.

The connection of a non-shielded printer interface cable to this printer will invalidate the EMC standards of this device. You are cautioned that changes or modifications not expressly approved by Seiko Epson Corporation could void your authority to operate the equipment.

CE Marking

The printer conforms to the following Directives and Norms:

Directive 2004/108/EC
EN 55022 Class A
EN 55024
IEC 61000-4-2 IEC 61000-4-5
IEC 61000-4-3 IEC 61000-4-6
IEC 61000-4-4 IEC 61000-4-11

Directive 90/384/EECEN 45501

FCC Compliance Statement For American Users

This equipment has been tested and found to comply with the limits for a Class A digital device, pursuant to Part 15 of the FCC Rules. These limits are designed to provide reasonable protection against harmful interference when the equipment is operated in a commercial environment.

This equipment generates, uses, and can radiate radio frequency energy and, if not installed and used in accordance with the instruction manual, may cause harmful interference to radio communications.

Operation of this equipment in a residential area is likely to cause harmful interference, in which case the user will be required to correct the interference at his own expense.

For Canadian Users

This Class A digital apparatus complies with Canadian ICES-003.

À l'intention des utilisateurs canadiens

Cet appareil numérique de la classe A est conforme à la norme NMB-003 du Canada.

All rights reserved. No part of this publication may be reproduced, stored in a retrieval system, or transmitted in any form or by any means, electronic, mechanical, photocopying, recording, or otherwise, without the prior written permission of Seiko Epson Corporation. No patent liability is assumed with respect to the use of the information contained herein. While every precaution has been taken in the preparation of this book, Seiko Epson Corporation assumes no responsibility for errors or omissions. Neither is any liability assumed for damages resulting from the use of the information contained herein.

Neither Seiko Epson Corporation nor its affiliates shall be liable to the purchaser of this product or third parties for damages, losses, costs, or expenses incurred by purchaser or third parties as a result of: accident, misuse, or abuse of this product or unauthorized modifications, repairs, or alterations to this product, or (excluding the U.S.) failure to strictly comply with Seiko Epson Corporation's operating and maintenance instructions.

Seiko Epson Corporation shall not be liable against any damages or problems arising from the use of any options or any consumable products other than those designated as Original Epson Products or Epson Approved Products by Seiko Epson Corporation.

EPSON is a registered trademark of Seiko Epson Corporation in Japan and other countries/regions.

NOTICE: The contents of this manual are subject to change without notice.

Copyright © 2004 by Seiko Epson Corporation, Nagano, Japan.

Safety Precautions

This section presents important information intended to ensure safe and effective use of this product. Please read this section carefully and store it in an accessible location.



WARNING:

Shut down your equipment immediately if it produces smoke, a strange odor, or unusual noise. Continued use may lead to fire. Immediately unplug the equipment and contact your dealer or a Seiko Epson service center for advice.

Never attempt to repair this product yourself. Improper repair work can be dangerous.

Never disassemble or modify this product. Tampering with this product may result in injury or fire.

Be sure to use the specified power source. Connection to an improper power source may cause fire.

Do not allow foreign matter to fall into the equipment. Penetration by foreign objects may lead to fire.

If water or other liquid spills into this equipment, unplug the power cord immediately, and then contact your dealer or a Seiko Epson service center for advice. Continued usage may lead to fire.

Do not use aerosol sprayers containing flammable gas inside or around this product. Doing so may cause fire.



CAUTION:

Do not connect cables in ways other than those mentioned in this manual. Different connections may cause equipment damage and burning.

Be sure to set this equipment on a firm, stable, horizontal surface. The product may break or cause injury if it falls.

Do not use in locations subject to high humidity or dust levels. Excessive humidity and dust may cause equipment damage or fire.

Do not place heavy objects on top of this product. Never stand or lean on this product. Equipment may fall or collapse, causing breakage and possible injury.

To ensure safety, unplug this product before leaving it unused for an extended period.

Safety Label

The caution label on the product indicates the following precaution.



WARNING:

Do not connect a telephone line to the drawer kick-out connector; otherwise, the printer and the telephone line may be damaged.

Restriction of Use

When this product is used for applications requiring high reliability/safety, such as transportation devices related to aviation, rail, marine, automotive, etc.; disaster prevention devices; various safety devices, etc.; or functional/precision devices, etc.; you should use this product only after giving consideration to including fail-safes and redundancies into your design to maintain safety and total system reliability. Because this product was not intended for use in applications requiring extremely high reliability/safety, such as aerospace equipment, main communication equipment, nuclear power control equipment, or medical equipment related to direct medical care, etc., please make your own judgment on this product's suitability after a full evaluation.

Downloading Drivers, Utilities, and Manuals

Drivers, utilities, and manuals can be downloaded from one of the following URLs.

For customers in North America, go to the following web site:
<http://www.Epsonexpert.com/> and follow the on-screen instructions.

For customers in other countries, go to the following web site:
<http://www.Epson-pos.com/>

Unpacking

The following items are included with the standard specification printer. If any item is damaged, contact your dealer.

- Printer
- Damper
- Ribbon cassette
- User's Manual (this manual)

Control Panel

RELEASE button

Press this button to insert or remove paper.

REVERSE button

Feeds paper backward.

FORWARD button

Feeds paper forward.

POWER LED

ON when the printer is on.

RELEASE LED

ON when the printer is in release mode (to insert or remove paper).

OFF when the printer is in clamp mode (to hold paper).

FLASHES to indicate an error.

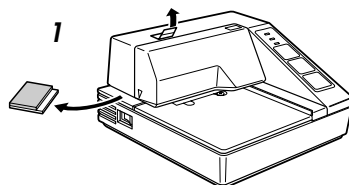
PAPER OUT LED

ON when paper is not inserted or is not inserted correctly.

Removing the Transportation Damper

The printer is protected during shipping by a transportation damper that you must remove before you turn on the printer.

Pull the damper out and remove the strip of tape from the top of the printer, as shown in illustration 1.



Note:

Prepare the printer to ship or store with these steps: turn on the printer, press the RELEASE button, press the FORWARD button, turn off the printer, and reinstall the transportation damper.

Installing a Ribbon

Use the Epson ERC-27 ribbon cassette. The use of any ribbon cassettes other than those approved by Epson may damage the printer and will void the warranty.

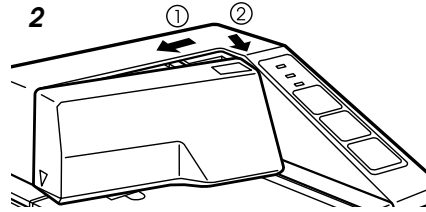
1. Turn the printer on using the power switch on the left side.
2. Press the RELEASE button (the RELEASE LED lights). This puts the printer in the paper release mode.
3. Turn the printer off.



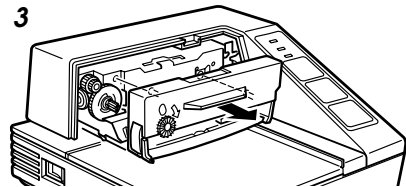
CAUTION:

Perform the steps above to make sure the printer is in the paper release mode before you install or remove a ribbon cassette.

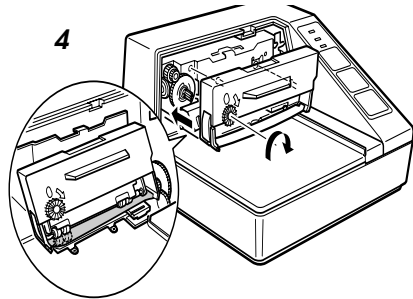
4. Open the printer cover by first pressing the ridges on the top to the left slightly and then pulling the cover forward, as shown in illustration 2.



5. If there is a used ribbon, remove it by grasping the handle and pull it straight out, as shown by the arrow in illustration 3.



6. Before installing the new ribbon, check that it is not creased or twisted. Then turn the feed knob in the direction of the arrow on the ribbon cassette to take up any slack in the ribbon.
7. Carefully insert the ribbon cassette in the printer as shown in illustration 4. Notice exactly where the ribbon must go.
8. Push firmly on the right side and then the left side of the ribbon cartridge until each side clicks into place.
9. To put the cover back on the printer, first align the left side of the cover; then insert the tab on the top; then press the bottom until it clicks into place (see illustration 2).



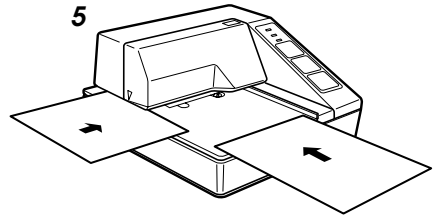
Inserting Paper

Note:

Do not use wrinkled or curled paper. Be sure to use roll paper that meets the specifications.

1. Make sure a ribbon cassette is installed in the printer.
2. Turn on the printer. The POWER light comes on.
3. Press the RELEASE button. The RELEASE light comes on to show that the printer is in release mode. In this mode, paper can be inserted and removed.

4. Insert the paper from either the front or the side, as shown in illustration **5**, until the form stopper stops it. Use the markings on the side of the printer to judge how far to insert paper.
5. Check the PAPER OUT light. When you insert the paper correctly, the PAPER OUT light goes out. If the PAPER OUT light is still on, remove the paper and reinsert it.



Troubleshooting

No lights on the control panel

Check that power supply cables are plugged into the printer correctly, the power unit, and power outlet.

Make sure power is supplied to the power outlet. If the outlet is controlled by a switch or timer, use another outlet.

The PAPER OUT light is on, and nothing is printing

Paper is not inserted or is not inserted correctly.

The RELEASE light is flashing, and nothing is printed

Indicates an error. Turn off the printer, be sure no paper is jammed, and turn it back on. If the RELEASE light still flashes, contact a qualified service person.