



Load Cells **SLC Series**

- » **Plug & Play Operation**
DFS II-R-ND Gauge
TCD110, TCD225 or TCD1100 Digital Testers
- » **Accuracy up to 0.25% FS**
- » **NIST Calibration with Data**
- » **1 Year Warranty**



The CHATILLON® SLC Series loadcells are full-bridge strain gauge sensors complete with 15-pin plug. These loadcells are used with the Chatillon DFS II-R-ND Series digital indicator. They may also be used with the Chatillon TCD Series digital force testers (recalibration with a TCD Series Console is required).

The loadcell values and sensitivity factors are stored in memory within the sensor plug. When connected to a DFS-R-ND indicator or TCD Series force tester, the capacity and calibration points are automatically recognized by the instrument. The instrument then becomes a full-featured load measurement instrument. The loadcells are connected to the DFS II-R-ND or TCD Console with a retractable cord that extends fully to nearly 9 ft. (3 m).



SLC Sensor attached to the DFS II-R-ND gauge.

Specifications

Accuracy:	±0.25% of full scale 2K, 5K and 10K 0.5% of full scale
Input Resistance:	1000 ohms ±100
Output Resistance:	1000 ohms ±100
Rated Output:	2.0 mV/V
Safe Overload:	150% full scale
Non-Linearity:	±0.05% full scale
Hysteresis:	±0.05% full scale
Zero Balance:	±1.0% full scale
Operating Temperature:	40 to 110°F (4 to 45°C)
Instrument Weight:	1 lb (0.5 kg)
Shipping Weight:	1.5 lbs (0.7 kg)

ISO 9001 Manufacturer

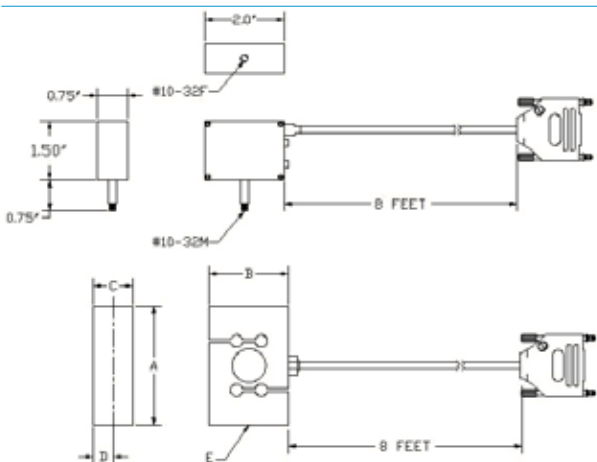
Specification Sheet
SS-SLC Series

AMETEK®
TEST & CALIBRATION INSTRUMENTS

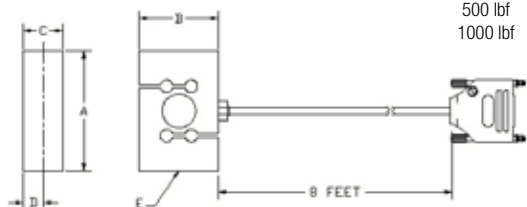
Ordering

SLC Series

Model	ozf	lbf	gf	kgf	N	Deflect
SLC-250G	8 x 0.002	0.5 x 0.0001	250 x 0.05	1 x 0.0001	2.5 x 0.0005	0.013 +0.004"
SLC-0002	32 x 0.005	2 x 0.0002	1000 x 0.1	1 x 0.0001	10 x 0.001	0.013 +0.004"
SLC-0010	160 x 0.02	10 x 0.001	5000 x 0.5	5 x 0.0005	50 x 0.005	0.013 +0.004"
SLC-0025	400 x 0.05	25 x 0.002	10000 x 1	10 x 0.001	100 x 0.01	0.015 +0.004"
SLC-0050	800 x 0.1	50 x 0.005	25000 x 2	25 x 0.002	250 x 0.02	0.006 +0.003"
SLC-0100	1600 x 0.2	100 x 0.01	50000 x 5	50 x 0.005	500 x 0.05	0.008 +0.003"
SLC-0200	-	200 x 0.02	-	100 x 0.01	1000 x 0.1	0.008 +0.003"
SLC-0500	-	500 x 0.05	-	250 x 0.02	2500 x 0.2	0.008 +0.003"
SLC-1000	-	1000 x 0.1	-	500 x 0.05	5000 x 0.2	0.012 +0.003"
SLC-2000	-	2000 x 0.2	-	1000 x 0.1	10,000 x 1	0.018 +0.003"
SLC-5000	-	5000 x 0.5	-	2500 x 0.2	25,000 x 2	0.013 +0.003"
SLC-10000	-	10,000 x 1	-	5000 x 0.5	50,000 x 5	0.011 +0.003"



Capacity	A	B	C	D	E
50 lbf	2.48"	2.0"	0.61"	0.31"	1/4-28F
100 lbf	2.48"	2.0"	0.61"	0.31"	1/4-28F
200 lbf	2.48"	2.0"	0.61"	0.31"	1/4-28F
500 lbf	2.98"	2.0"	0.98"	0.49"	1/2-20F
1000 lbf	2.98"	2.0"	0.98"	0.49"	1/2-20F



Capacity	A	B	C	D	E	F
2000 lbf	3.44"	2.25"	0.94"	0.47"	1.125"	1/2-20F
5000 lbf	3.94"	2.75"	1.19"	0.59"	1.375"	3/4-16F
10,000 lbf	3.94"	3.0"	1.43"	0.71"	1.5"	3/4-16F

ISO 9001/2000
ISO/IEC17025
Manufacturer



Sensor connection port on the DFS II-R-ND Series gauge.

AMETEK Test & Calibration Instruments

A business unit of AMETEK Measurement & Calibration Technologies offering the following industry leading brands for test and calibration instrumentation.

Chatillon Force Measurement

Chatillon has been a hallmark in the industry since 1835. The hand held gauges and motorized testers have earned their reputation for quality, reliability and accuracy and they represent the de facto standard for force measurement.

Lloyd Instruments

Materials Testing Solutions

Materials testing machines and software from Lloyd Instruments guarantee the highest level of performance and capability for production testing, quality control, laboratory testing, research and education to provide expert materials testing solutions.

Davenport Polymer Test Equipment

Allows critical polymer parameters to be determined, including melt flow index and melt flow rate, intrinsic viscosity (IV) measurement of moisture-sensitive PET polymers and polymer density measurement.

Texture Analysers

The comprehensive program provides the platform to perform rapid, general food testing and detailed texture analysis on a diverse range of foods.

Newage Testing Instruments

Newage offers a comprehensive range of hardness testers, durometers, optical systems and software for measurement, data acquisition and analysis.

JOFRA Calibration Instruments

The inventor of the portable high precision dry-block temperature calibrators. The calibration instruments program also covers precision thermometers and temperature baths, temperature sensors hand held instruments for pressure calibration and process signal calibrators for easy control loop calibration, measurements and simulation.

M&G Pressure Testers & Pumps

Pneumatic floating-ball or hydraulic piston dead weight testers with accuracies to 0.015% of reading.

AMETEK®
TEST & CALIBRATION INSTRUMENTS

UK
Lloyd Instruments Ltd
Tel +44 (0)1243 833 370
uk-far.general@ametek.co.uk

France
AMETEK S.A.S.
Tel +33 (0)1 30 68 89 40
general.lloyd-instruments@ametek.fr

Germany
AMETEK GmbH
Tel +49 (0)2159 9136 510
info.mct-de@ametek.de

Denmark
AMETEK Denmark
Tel +45 4816 8000
ametek@ametek.dk

USA
AMETEK Measurement & Calibration Technologies
Tel +1 (727) 536 7831
chatillon.fl-lar@ametek.com

India
AMETEK Instruments India Pvt Ltd.
Tel +91 22 2836 4750
ametek@ametek.dk

Singapore
AMETEK Singapore Pte Ltd
Tel +65 6484 2388
aspl@ametek.com.sg

China
AMETEK Inc. - Shanghai
Tel +86 21 5868 5111
AMETEK Inc. - Beijing
Tel +86 10 8526 2111
AMETEK Inc. - Guangzhou
Tel +86 20 8363 4768
lloyd@ametek.com.cn

Information in this document is subject to change without notice. ©2012 by AMETEK, Inc., www.ametek.com. All rights reserved.